

GD7 Moulded Budget Latch

Features

- Unique design allows 'fix through' mounting to suit narrow door pillars, sections and channels
- Moulded construction provides the benefits of lightweight, self-lubricating action, and total corrosion resistance
- Basic latch (**GD7-G01530**) is operated by rod or cable as part of a slam system
- Single-point models use a large knurled knob for good grip
- Slam bolt retracts fully into case when operated
- Slotted bolt-pull provides 'lost-motion' so latches can always be 'slammed', even when a system is in 'locked' mode

Material

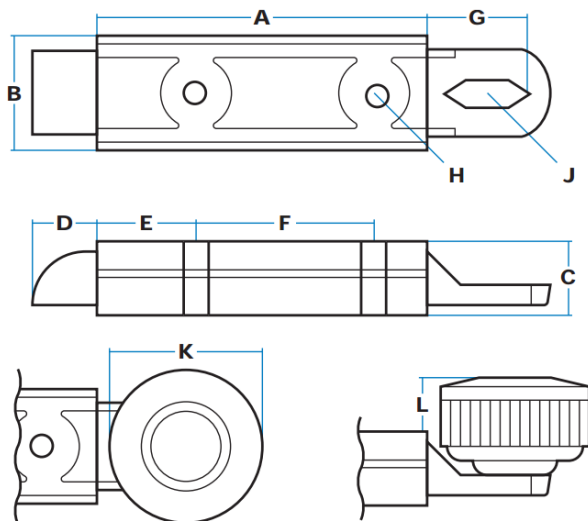
- Moulded in acetal copolymer, with stainless steel spring
- Latches are self-coloured black with attractive textured finish

Product Performance

- 50,000 life cycle
- Spring pressure: 6 kg to full bolt withdrawal

Notes

- Fixing by rivets through 6mm holes in case
- Use large-headed fasteners to spread load over area



GD7-G01528
(‘Nose-up’ model)



GD7-G01529
(‘Nose-down’ model)

GD7-G01530
(Basic model)

Part No.	Type	A	B	C	D	E	F	G	H	J	K	L
GD7-G01530	Basic model, nose-down	80	29	18	16	23	44	25	6	7 x 20	-	-
GD7-G01529	Nose-down, with knob										38	16
GD7-G01528	Nose-up with knob											